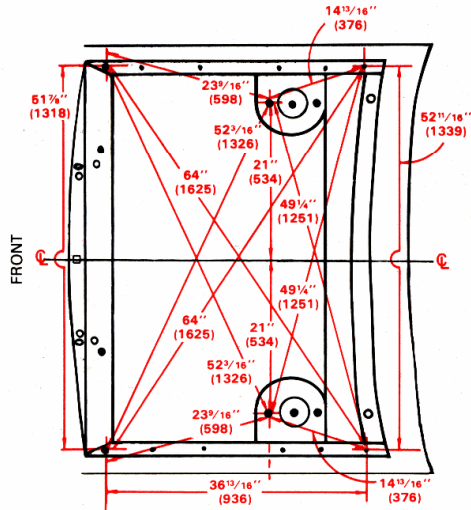


VOLKSWAGEN 1987 SCIROCCO

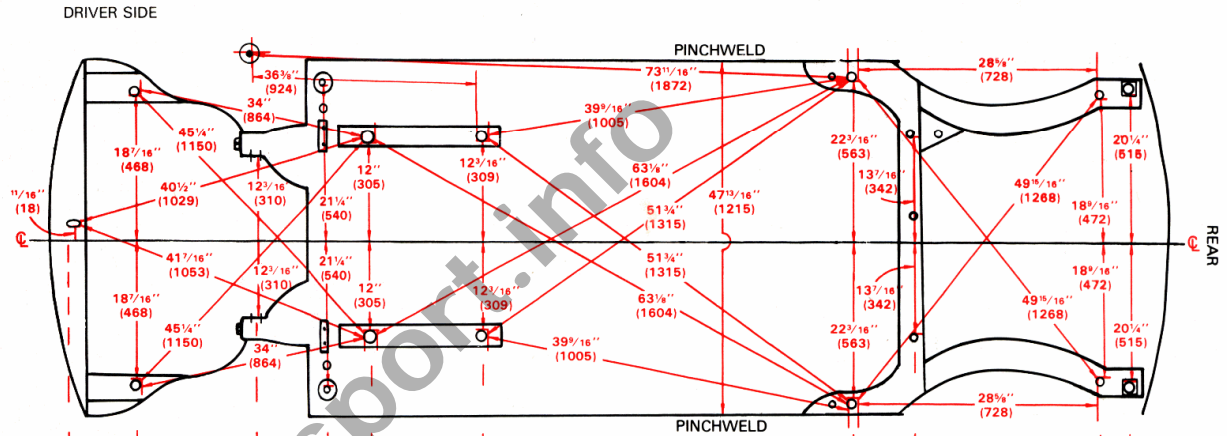
94.5" (2400mm) WHEELBASE

UNDERHOOD VIEW
 All Underhood View Dimensions are Point-to-Point.
 Holes are Measured to Closest Edge.
 Bolts and Studs are Measured to Center.



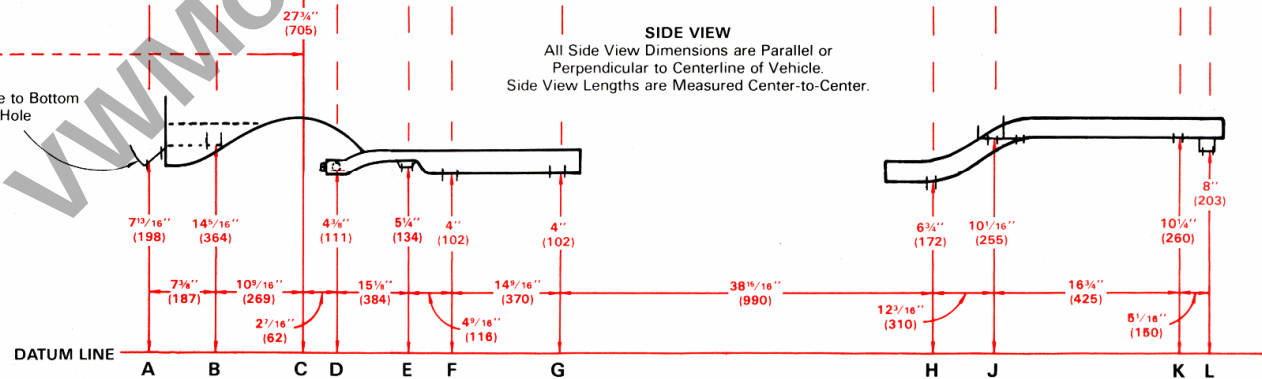
See "C" for Datum Height and Length

BOTTOM VIEW
 All Bottom View Dimensions are Point-to-Point
 Holes are Measured to Closest Edge. Bolts are Measured to Center.
 TRAM BAR MEASUREMENTS ARE TAKEN WITH POINTERS SET AT EQUAL LENGTHS.



Tip of Front Stud on Strut Tower

SIDE VIEW
 All Side View Dimensions are Parallel or Perpendicular to Centerline of Vehicle.
 Side View Lengths are Measured Center-to-Center.



HOLE DIAMETERS

- A = 1 3/16" x 1 3/8" (30 x 35)
- B = 1/2" (13)
- C = Front Stud on Strut Tower
- D = 3/8" (9)
- E = 1 3/16" (30)
- F = 1 3/16" (30)
- G = 1 3/16" (21)
- H = 5/8" (16)
- J = 9/16" (15)
- K = 9/16" (15)
- L = 1 3/16" (30)

NOTE: Measure to Bottom Edge of Hole

DATUM LINE

A B C D E F G H J K L

VER 4

VW-6

SEE PROCEDURE EXPLANATION

©1987 KLM AUTOMOTIVE PUBLISHING INC.